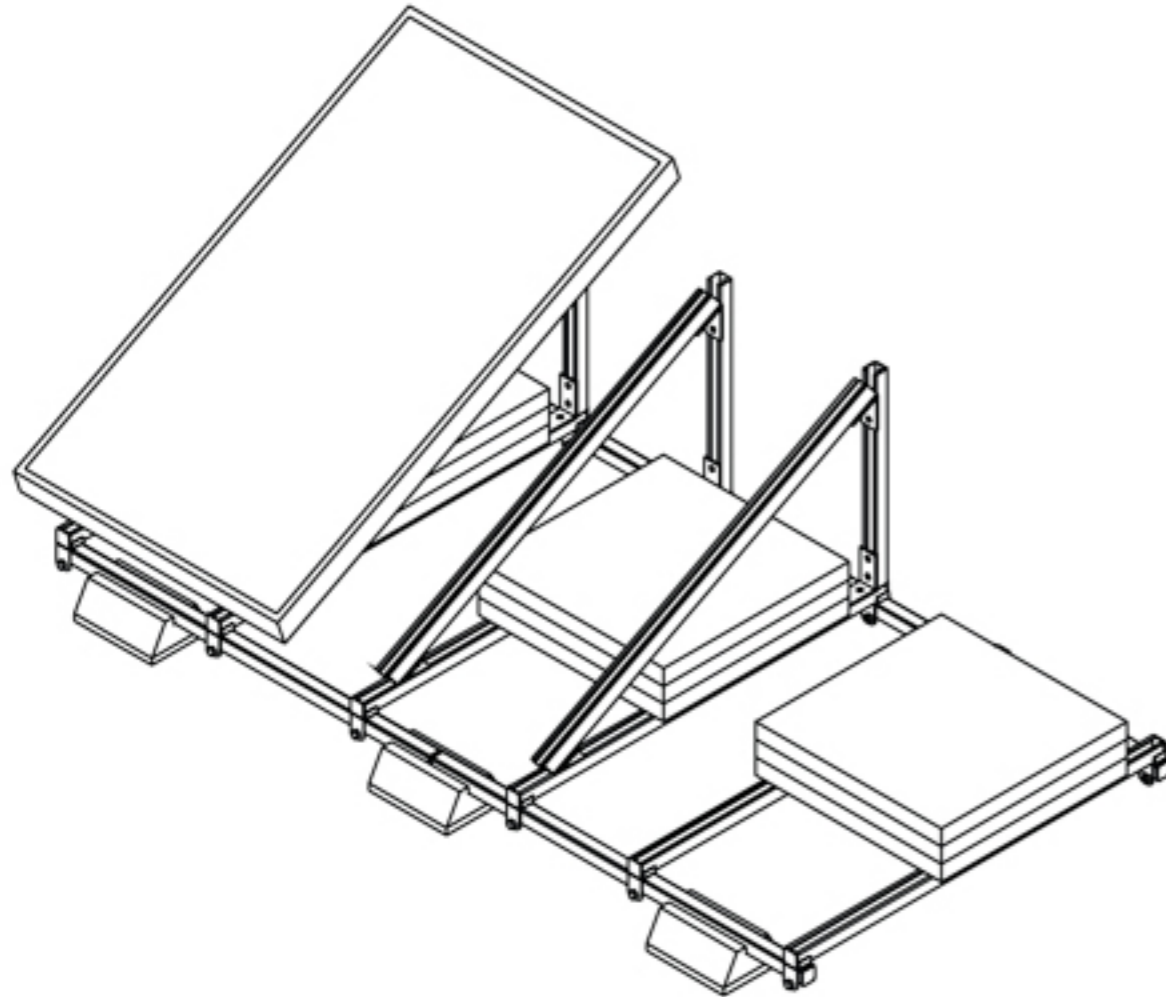




Flexi Solar - Flexi Foot Universal

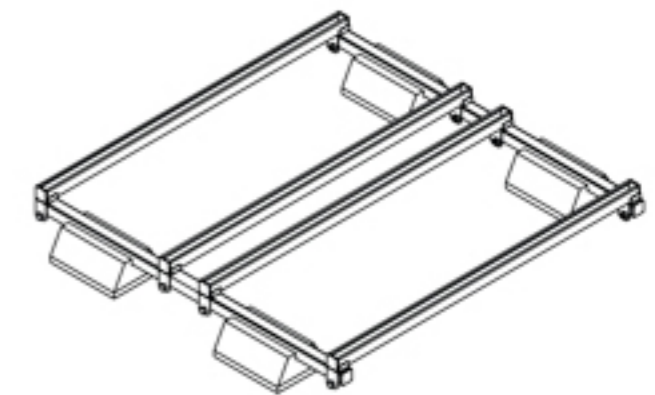
Non-adjustable frameworks for the support of solar PV panels & solar thermal



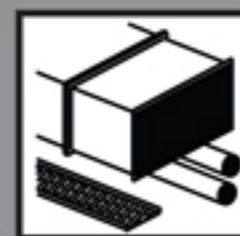
F-SP-3 System frame shown above.
Note, ballast, strut 'A' frame and PV panel by others

Features & Benefits

- Non-penetrative support
- Flexible design to accommodate late design changes
- Fast and simple installation
- Hot dip galvanised frameworks
- Industry compatible standard components
- Custom layouts available to order
- Full AutoCAD drawing support
- Load management and wind calculations available
- Full on-site support and surveying services



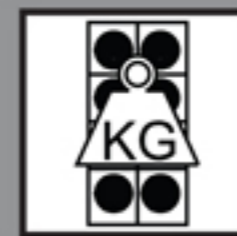
Glaisdale Drive East
Nottingham
NG8 4LY
Tel: +44(0)115 900 5858
www.flexisupportsystems.co.uk
sales@flexisupportsystems.co.uk



everyday



light



heavy



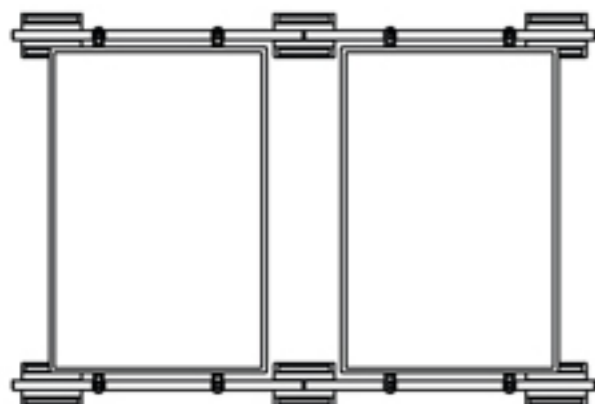
access



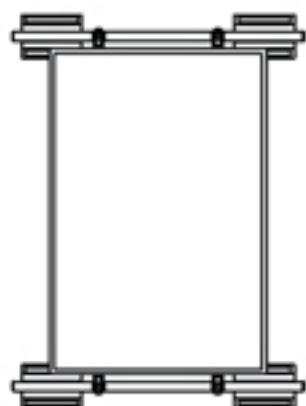
Flexi Solar Frames for the Renewables Market

These low level & versatile free standing modular frames are supplied with our 'Flexi-Foot Universal' feet. Designed for typical flat roofs with minimal falls or changes in height. End bars are a robust 40 x 40mm box section with 1500mm wide 41 x 41mm strut cross bars which provides an independent non-evasive support frame for the contractor to position **their 'A' frames, solar panels and ballast accordingly**. Our systems utilise industry standard compatible components and can accommodate most major manufacturers panel.

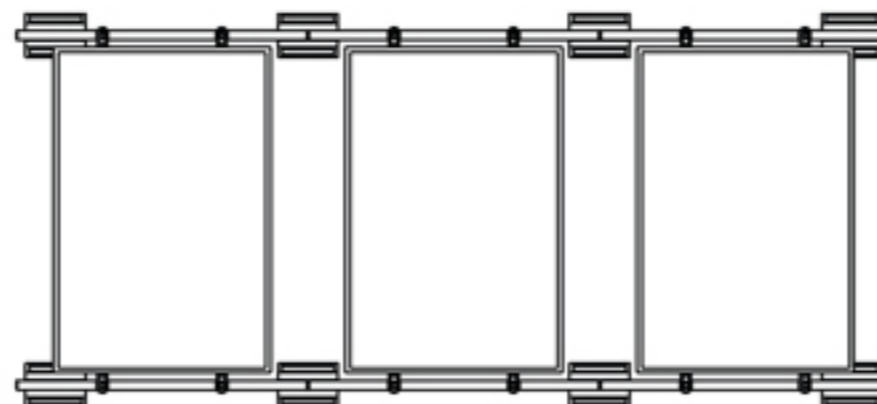
Typical support layout



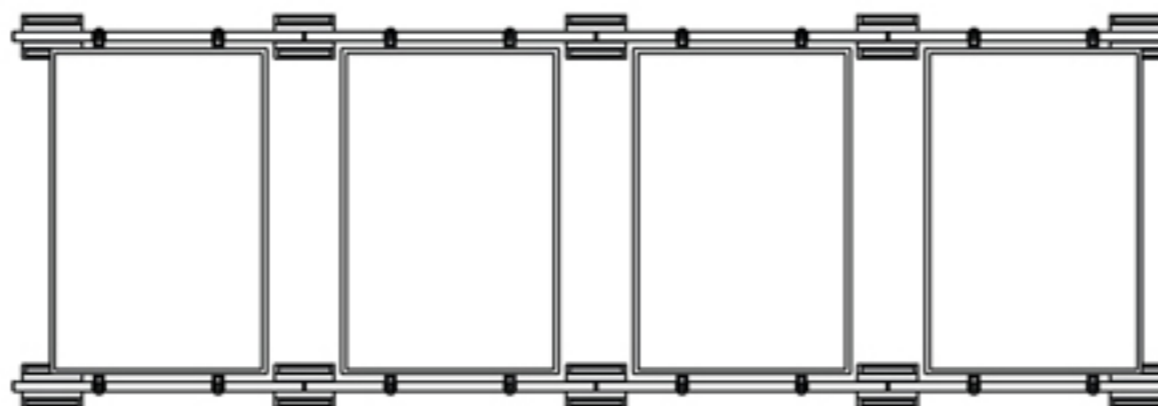
Part Code F-SP-2



Part Code F-SP-1



Part Code F-SP-3



Part Code F-SP-4

Code	Description	Panel Qty	Length mm	Width mm	Height mm	Safe Working Load*	Weight
F-SP-1	Flexi – Solar 1 Panel Frame	1	1200mm	1500mm	120mm	28kg	500kg
F-SP-2	Flexi – Solar 2 Panel Frame	2	2400mm	1500mm	120mm	52kg	1000kg
F-SP-3	Flexi – Solar 3 Panel Frame	3	3600mm	1500mm	120mm	78kg	1500kg
F-SP-4	Flexi – Solar 4 Panel Frame	4	4800mm	1500mm	120mm	100kg	2000kg



Specification Extract

Solar PV panels supported by hot dip galvanised frames incorporating 'flexi-foot' universal feet. Tel: +44(0)115 900 5858.

Application

Suitable for the low level support of photovoltaic solar panels and solar thermal. Panel configuration and sizes would need confirming by the customer to ensure we supply a suitable solution. **Required ballast and 'A' frame supplied by others.**

Material Specification

- Foot - SBR recycled rubber BS7188:1989 + A2:2009 and BS EN 1176-7:2008 - UV Stabilised.
- For reference see BS EN 1991-1-4:2005 Eurocode: Actions on structures. Parts 1-4: General actions - wind action
- For reference see BRE digest 489: wind loads on roof based photovoltaic systems
- End bars - 40 x 40 x 3mm SHS (square hollow section)
- Cross bars - 1500mm long 41 x 41 x 2.5mm slotted strut with adjustable end clamps to provide flexible widths.
- Finish - Hot dip galvanised steelwork BS EN 10219-1:2006. Galvanising: BS EN ISO 1461:2009. Salt Mist Testing: BS EN IEC 60068-2-52:2018.

Our Service Offers You

- Quotation on request
- Full AutoCAD drawings support
- Site support and site surveys
- Load management calculations
- Over 20 years experience in flat roof design and providing support systems to building services
- Fast delivery (FREE on large orders)
- Experienced in-house technical staff