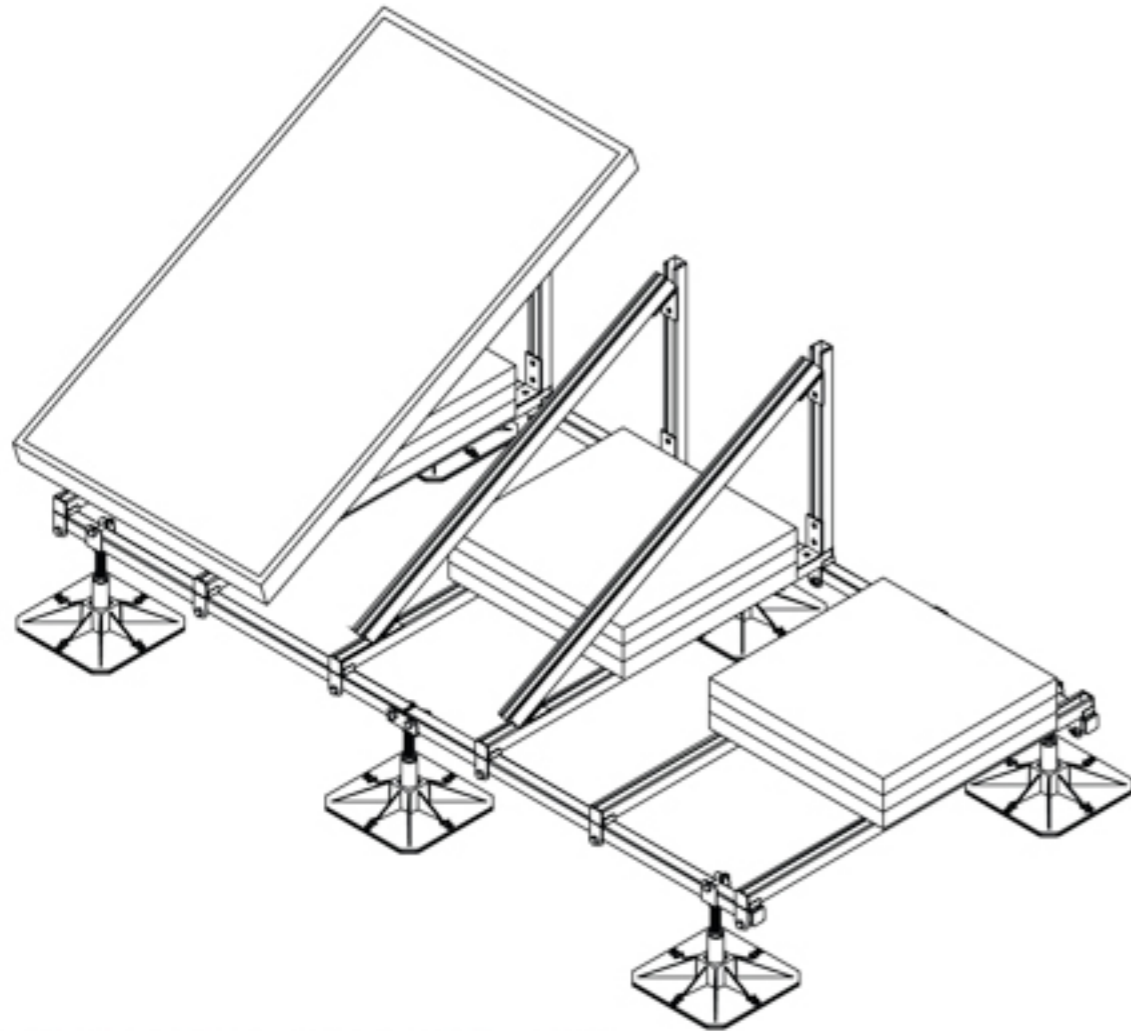
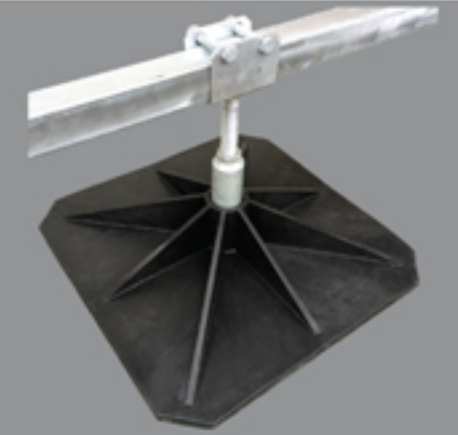




solar

Flexi Solar - Flexi Frames

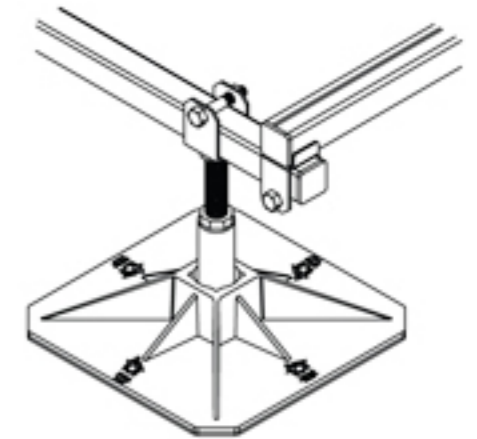
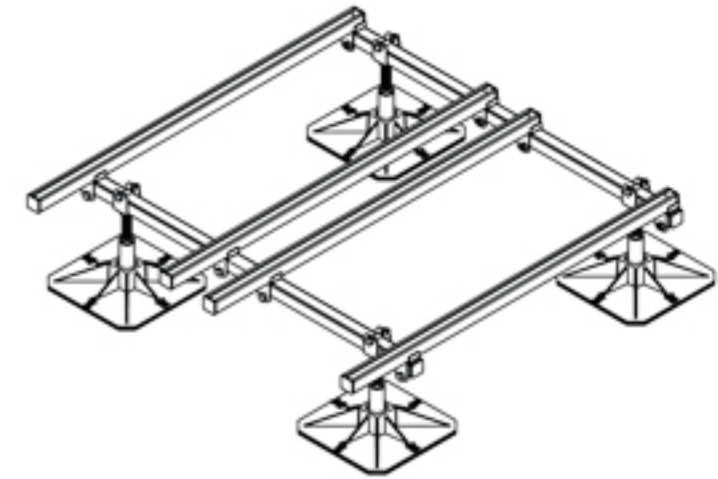
Adjustable frameworks for the support of solar PV panels & solar thermal



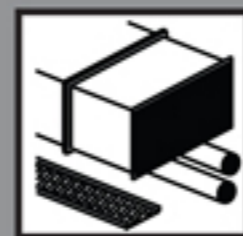
F-SP-3-A System frame shown above.
Note, ballast, strut 'A' frame and PV panel(s) by others

Features & Benefits

- Non-penetrative support
- Flexible design to accommodate late design changes
- Fast and simple installation
- Hot dip galvanised frameworks
- Industry compatible standard componentry
- Unique ability to position end bars and legs inboard of framework
- Full AutoCAD drawing support
- Load management and wind calculations available
- Full on-site support and surveying services



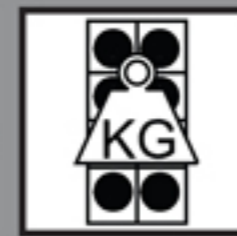
Glaisdale Drive East
Nottingham
NG8 4LY
Tel: +44(0)115 900 5858
www.flexisupportsystems.co.uk
sales@flexisupportsystems.co.uk



everyday



light



heavy



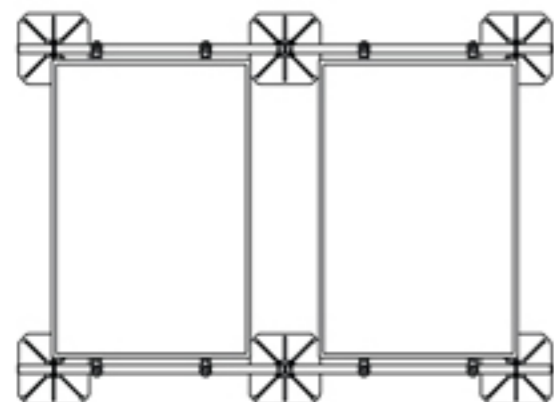
access



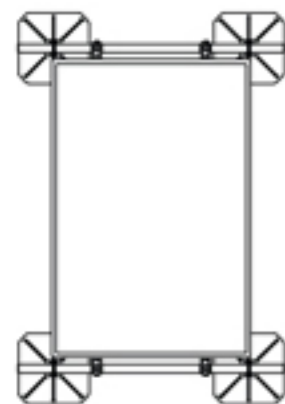
Flexi Solar Foot Frames for the Renewables Market

These versatile free standing modular frames are supplied with our fully adjustable leg assemblies utilising M24 adjuster studs to level frames where flat roofs have greater falls or changes in height. We can supply varying leg heights to accommodate steps in the roof finish, and all frameworks are supplied with our 320 x 320mm feet. End bars are a robust 40 x 40mm box section with 1500mm wide 41 x 41mm strut cross bars which provides an independent non-evasive support frame for the contractor to position their 'A' frames, solar panels and ballast accordingly. Our systems utilise industry standard compatible components and can accommodate most major manufacturers panels.

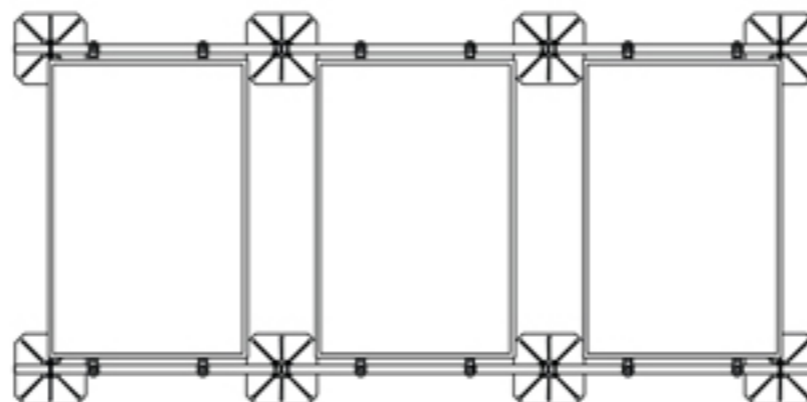
Typical support layout



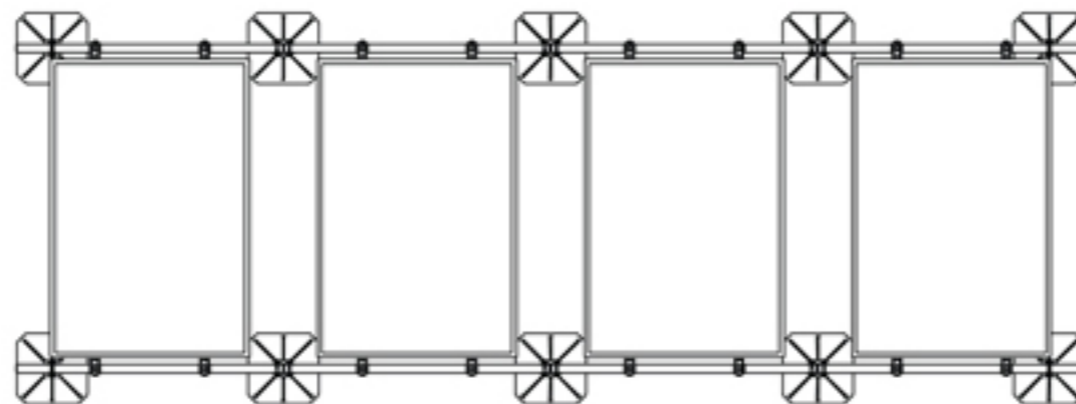
Part Code F-SP-2-A



Part Code F-SP-1-A



Part Code F-SP-3-A



Part Code F-SP-4-A

Code	Description	Panel Qty	Length mm	Width mm	Height mm	Safe Working Load*	Weight
F-SP-1-A	Flexi – Solar 1 Panel Adjustable Frame	1	1200mm	1500mm	300-405mm	28kg	500kg
F-SP-2-A	Flexi – Solar 2 Panel Adjustable Frame	2	2400mm	1500mm	300-405mm	52kg	1000kg
F-SP-3-A	Flexi – Solar 3 Panel Adjustable Frame	3	3600mm	1500mm	300-405mm	78kg	1500kg
F-SP-4-A	Flexi – Solar 4 Panel Adjustable Frame	4	4800mm	1500mm	300-405mm	100kg	2000kg



Specification Extract

Solar PV panels supported by hot dip galvanised frames and on fully adjustable legs and 320mm square feet. Pump House
Tel: +44(0)115 900 5858.

Application

Suitable for the support of photovoltaic solar panels and solar thermal. Panel configuration and sizes would need confirming by the customer to ensure we supply a suitable solution. **Required ballast and 'A' frame supplied by others.**

Material Specification

- Foot - 320mm square UV Stabilised 90% polypropylene + 10% GRP
- For reference see BS EN 1991-1-4:2005 Eurocode: Actions on structures. Parts 1-4: General actions - wind action
- For reference see BRE digest 489: wind loads on roof based photovoltaic systems
- End bars - 40 x 40 x 3mm SHS (square hollow section)
- Cross bars - 1500mm long 41 x 41 x 2.5mm slotted strut with adjustable end clamps to provide flexible widths.
- Finish - Hot dip galvanised steelwork BS EN 10219-1:2006. Galvanising: BS EN ISO 1461:2009. Salt Mist Testing: BS EN IEC 60068-2-52:2018.

Our Service Offers You

- Quotation on request
- Full AutoCAD drawings support
- Site support and site surveys
- Load management calculations
- Over 20 years experience in flat roof design and providing support systems to building services
- Fast delivery (FREE on large orders)
- Experienced in-house technical staff