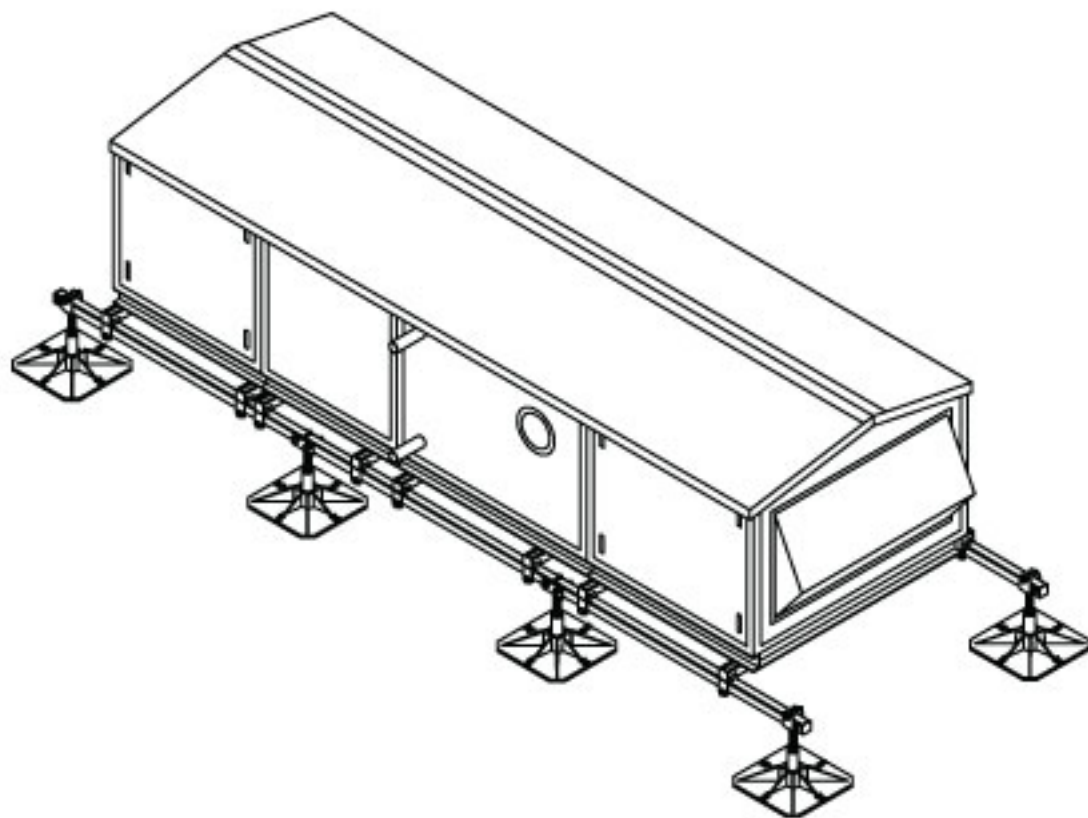




light

Flexi Light - Flexi Frame

Modular Frames for Smaller Air Handling Units



Features & Benefits

- Non-penetrative support
- Flexible design to accommodate late design changes
- Fast and simple installation
- Hot dip galvanised frameworks
- No time consuming clamping kits required, cross bars are industry standard strut fix
- Full AutoCAD drawing support
- Load management and wind calculations available
- Full on-site support and surveying services
- Available as standard 320mm square foot or 500mm option for heavy duty applications



everyday



heavy



solar



access



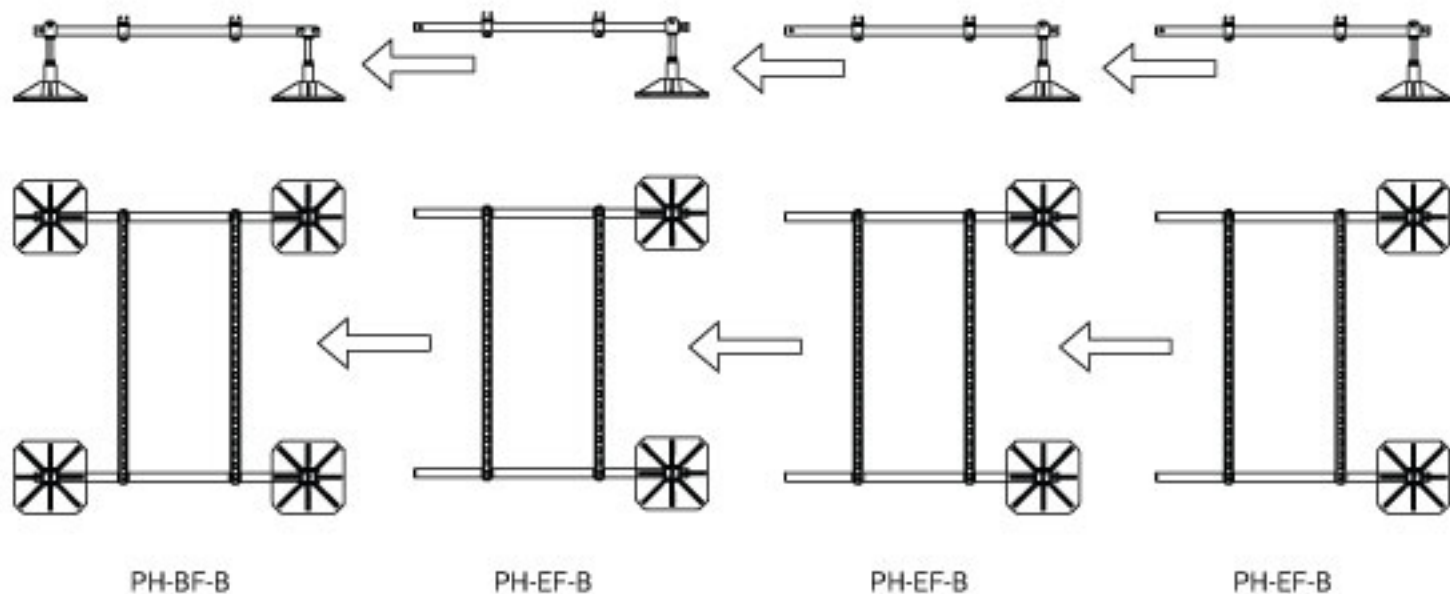
Pump House
 Glaisdale Drive East
 Nottingham
 NG8 4LY
 Tel: +44(0)115 900 5858
www.flexisupportsystems.co.uk
sales@flexisupportsystems.co.uk

Flexi Modular Frames for Smaller Air Handling Units (AHU's)

These versatile free standing frameworks are supplied boxed and come with fully adjustable M24 leg assemblies and our smaller 320mm square black polypropylene feet as standard, incorporating anti-vibration rubber mats adhered to the underside. Robust 40x40mm standard box section end bars linked to 41x41mm strut cross bars that slide along the end bars to accommodate ahu sectional positions. These frameworks are suitable for supporting smaller AHU's only.

Please refer to our 'Flexi Heavy Duty Modular Frameworks' for larger AHU applications.

Multiple Framework Arrangement to suit AHU size



Code	Description	Length	Width	Min. Height	Max. Height	Safe Working Load	Weight
PH-BF-B	Flexi Base Frame	1200mm	1200mm	300mm	405mm	500kg	30kg
PH-EF-B	Flexi Extender Frame	1200mm	1200mm	300mm	405mm	500kg	24kg

The system can accommodate any number of AHU's by simply adding additional PH-EF-B (Extender Frames)



Specification Extract

External Air Handling Units (AHU's) services will be supported on Pump House fully adjustable and hot dip galvanised Flexi Frames. Contact Pump House Tel: +44(0)115 900 5858.

Application

Suitable for supporting smaller AHU's, cross bars slide to accommodate AHU sectional lengths and quantities. Additional cross bars can be ordered if required.

Material Specification

- Foot - 320mm square as standard or 500mm square for heavy duty applications UV stabilised 90% polypropylene, 10% grp
- Mat - 100% natural rubber, (mat is adhered to the foot)
- Legs - 48mm dia. 3mm steel tube with M24 stud adjuster and 3mm thick U-clevis to top
- End bars - 40x40x3mm SHS (square hollow section)
- Cross bars - 41x41x2.5mm slotted stut with adjustable end clamps
- Finish - Hot dip galvanised steelwork BS EN 10219-1:2006.
Galvanising: BS EN ISO 1461:2009
Salt Mist Testing: BS EN IEC 60068-2-52:2018

Our Service Offers You

- Quotation upon request
- Full AutoCAD drawings support
- Site support and site surveys
- Load management calculations
- Over 20 years experience in flat roof design and providing support systems to building services
- Fast delivery (FREE on large orders)
- Experienced in-house technical staff