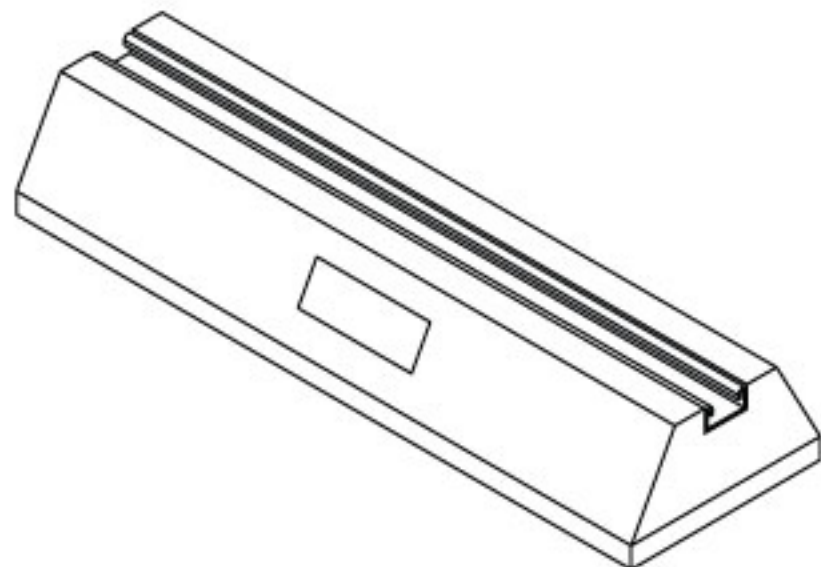




Flexi Solar - Flexi Foot (Eco-Packs)

An economical solution for the support of solar PV and solar thermal



Features & Benefits

- Non-penetrative support
- Flexible design to accommodate late design changes
- Fast and simple installation
- Supplied with integrated 21 x 41 mm steel strut, fully bonded to the foot, stronger than some aluminium alternatives.
- Drainage slots to the underside



everyday



light



heavy



access



Glaisdale Drive East
Nottingham
NG8 4LY
Tel: +44(0)115 900 5858
www.flexisupportsystems.co.uk
sales@flexisupportsystems.co.uk

Flexi Solar Foot for the Renewables Market

Flexi Eco-Packs offer the installer a simplistic and fast solution for the support of Photovoltaic panels and Solar Thermal units where value engineering is required. Supplied in pairs, these 600mm long feet are also supplied with their own fixing pack, (M10 sets and sprung nuts), for rigid securing to the A frame. These feet offer a base foundation to secure a length of cable tray which in turn acts as a carrier for the concrete paving slab ballast. The feet are manufactured from dense SBR recycled rubber and house an integrated length of 21x41mm hot dip galvanised strut bonded to the foot. **A frame, tray and ballast are supplied by others.**

Typical installation Part Code - FF-600-S (shown below)



Code	Description	Length mm	Width mm	Height mm	Safe Working Load*	Weight
FF-400-S	Flexi Foot with Strut - 400mm	400	185	100	280kg	4.6kg
FF-600-S	Flexi Foot with Strut - 600mm	600	185	100	420kg	7.6kg
FF-1000-S	Flexi Foot with Strut - 1000mm	1000	185	100	700kg	12.0kg



Specification Extract

External Solar PV / Solar Thermal will be supported on Pump House flexi foot.
Tel: +44(0)115 900 5858

Application

Suitable for the support of Photovoltaic and Solar Thermal panels avoiding the need to puncture the roof membrane. **A Frame, tray and ballast supplied by others.**

Feet supplied with fixings to secure carrier tray, (cable tray).

Material Specification

- Foot - SBR recycled rubber BS7188:1989 + A2:2009 and BS EN 1176-7:2008 - UV stabilised
- Integrated Strut - 41x21x2.5 steel strut hot dip galvanised steelwork. BS EN 10219-1:2006
- Finish - Galvanising: BS EN ISO 1461:2009
- Robust high quality materials used
- Channel is compatible with industry standard fixings and fixtures
- Suitable for internal or external environments in temperatures between -40°C to +80°C. BS EN 60068-2-14:2009

Our Service Offers You

- Quotations on request
- Full AutoCAD drawings support
- Site support and site surveys
- Load management calculations
- Over 20 years experience in flat roof design and providing support systems to building services
- Fast delivery (FREE on large orders)
- Experienced in-house technical staff