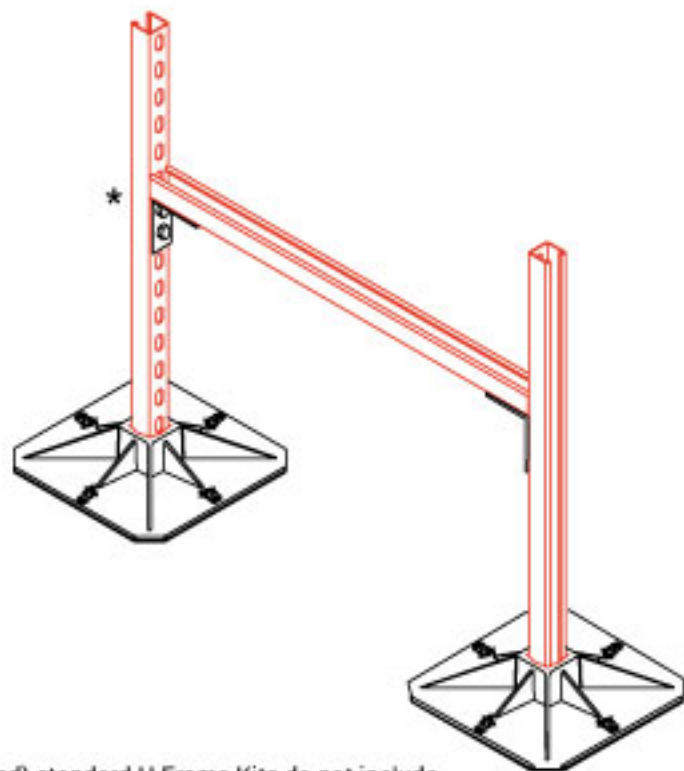




everyday

Flexi Everyday - Flexi H-Frame Kits

H-frame kits to support ducts, pipes and electrical containment



* (red) standard H-Frame Kits do not include strut. It can be supplied as an optional extra

Features & Benefits

- Non-penetrative support
- Flexible design to accommodate late design changes
- Fast and simple installation
- Hot dip galvanised bracketry
- Rubber mats adhered to feet
- Two foot sizes available
- The kit comes supplied in a box
- Full AutoCAD drawing support
- Load management and wind calculations available
- Full on-site support and surveying services
- Available as standard 320mm square foot or 500mm option for heavy duty applications



Pump House
Glaisdale Drive East
Nottingham
NG8 4LY
Tel: +44(0)115 900 5858
www.flexisupportsystems.co.uk
sales@flexisupportsystems.co.uk



light



heavy



solar



access



Flexi H-Frame Kits

Our H-frame kits offer the installer full flexibility by providing a solution where they can supply their own strut to suit their installation requirements. The H-frame kits are supplied with a pair of either our 320mm feet, most widely used in the majority of installations or where heavier more demanding loads are present, then our 500mm foot version kit is available. All kits are supplied with hot dip galvanised angle brackets together with all the necessary fixings to assist the installer in a low cost, versatile and fast assembly solution on site. Complete strut assembled frameworks, (H-frame kits where the strut is also supplied), are available upon request.

Typical Installation



What's in the box



Part Code - F-HF-320 (shown above)

Specification Extract

Duct/pipe/tray services will be supported on flexi everyday H-frame kits utilising (add required foot size) and with adhered rubber mats. Contact Pump House: Tel: +44(0)115 900 5858

Application

Suitable for everyday installation of ductwork including associated attenuators. Small to medium sized flow and return pipework and electrical containment e.g. cable trays or cable ladders.

Material Specification

- Foot - 320mm & 500mm square UV stabilised 90% polypropylene, 10% grp
- Mat - 100% natural rubber, (mat is adhered to the feet)
- Fixings - M10 ZP sets, washers and spring nuts.
- Angle brackets - mild steel, hot dip galvanised BS EN ISO 1461:2009
- This product is supplied boxed. Kit does NOT include strut (frame) metalwork.

Our Service Offers You

- Quotation on request
- Full AutoCAD drawings support
- Site support and site surveys
- Load management calculations
- Over 20 years experience in flat roof design and providing support systems to building services
- Fast delivery
- Experienced in-house technical staff

Code	Description	Foot Size	Safe Working Load*	Weight
F-HF-320	Flexi H-Frame Kit - 2 square black feet with fittings	320mm x 320mm	250kg	4kg
F-HF-500	Flexi H-Frame Kit - 2 square black feet with fittings	500mm x 500mm	600kg	13kg

* As the strut is not supplied with the kit, the maximum load is a guide only

