

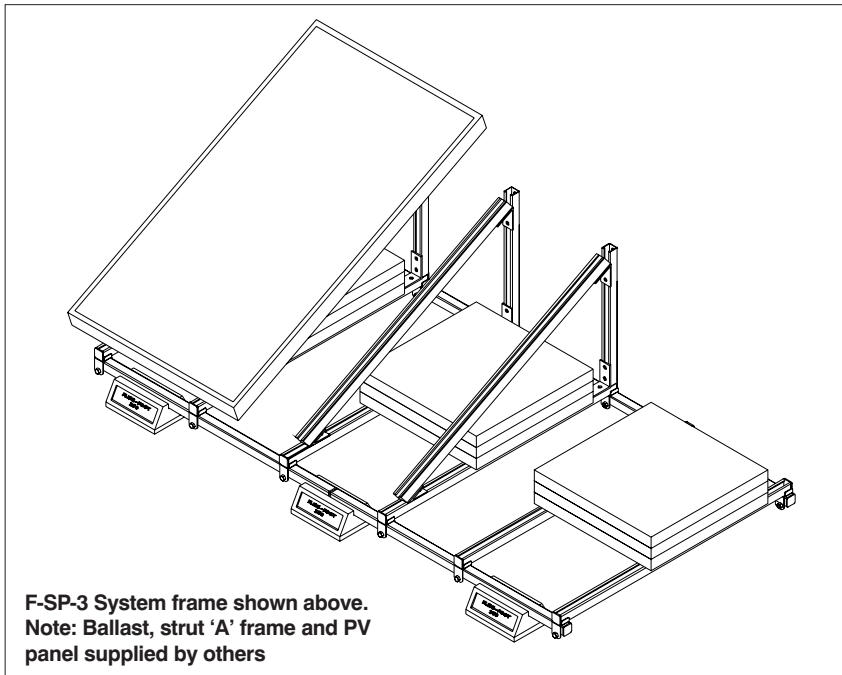


SOLAR

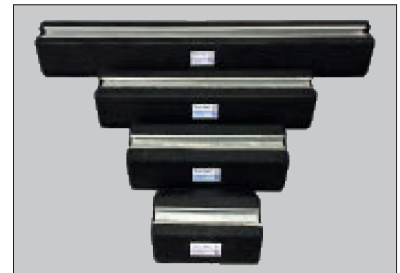


FLEXI FOOT UNIVERSAL

NON-ADJUSTABLE FRAMEWORKS FOR THE SUPPORT OF SOLAR PV PANELS & SOLAR THERMAL

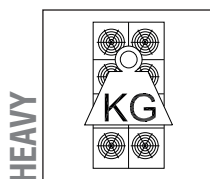
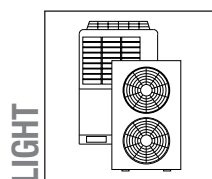
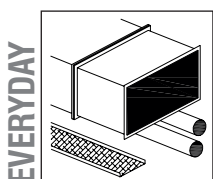


F-SP-3 System frame shown above.
Note: Ballast, strut 'A' frame and PV panel supplied by others



FEATURES & BENEFITS

- Non-penetrative support
- Flexible design to accommodate late design changes
- Fast and simple installation
- Hot-dip galvanised frameworks
- Industry compatible standard components
- Custom layouts available to order
- Full AutoCAD drawing support
- Full on-site support and surveying services



FLEXI-SOLAR
Flexi Foot Universal

The DiversiTech International sales team are available to answer your questions or queries on this product. Our experts are waiting for your call +44 (0)115 900 5858 or if you prefer send an email to sales@flexisupportsystems.co.uk or visit www.flexisupportsystems.co.uk

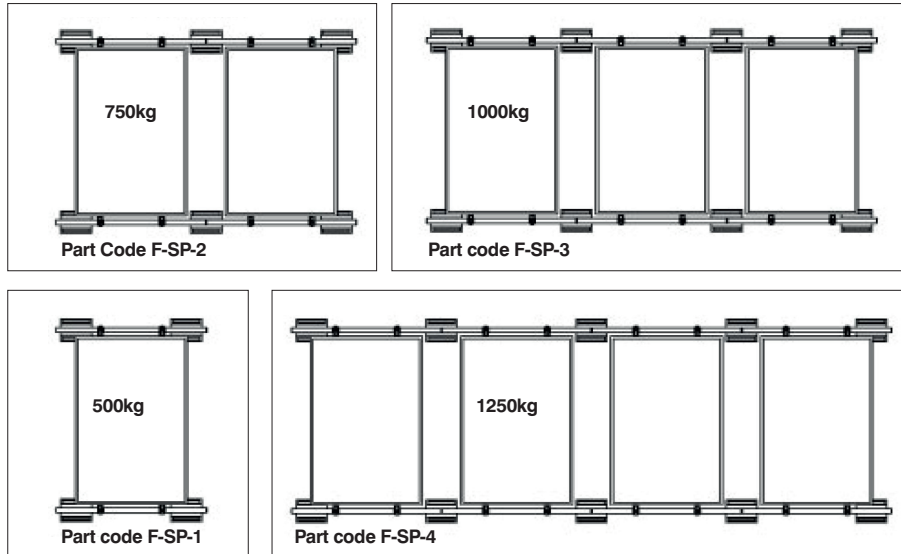




■ FLEXI-FOOT UNIVERSAL

These low level and versatile free-standing modular frames are supplied with our Flexi-foot Universal feet. Designed for typical flat roofs with minimal falls or changes in height. Frame end bars are a robust 40 x 40mm box section with 1500mm wide 41 x 41mm strut cross bars which provide an independent, non-evasive support frame for the contractor to position their 'A' frames, solar panels, and ballast upon accordingly. Our systems utilise industry standard compatible components, and can accommodate most major manufacturers' panels.

Typical support layout



■ APPLICATION

- Suitable for the low level support of photovoltaic solar panels and solar thermal. Panel configuration and sizes would need confirming by the customer to ensure we supply a suitable solution. Required ballast and 'A' frame supplied by others.

■ WHAT OUR SERVICE OFFERS YOU

- Quotations on request
- Full Auto-CAD drawing support
- Site support and site surveys
- Load management calculations
- Over 25 years experience in flat roof design, and providing support systems to building services
- Fast delivery
- Experienced in-house technical staff

■ MATERIAL SPECIFICATION

- Foot - SBR recycled rubber BS7188: 1989 + A2:2009 and BS EN 1176-7:2008 - UV Stabilised.
- For reference see BS EN 1991-1-4:2005 Eurocode: Actions on structures. Parts 1-4: General actions - wind action
- For reference see BRE digest 489: wind loads on roof based photovoltaic systems
- End bars - 40 x 40 x 3mm SHS (square hollow section)
- Cross bars - 1500mm long 41 x 41 x 2.5mm slotted strut with adjustable end clamps to provide flexible widths.
- Finish - Hot-dip galvanised steelwork BS EN 10219-1 :2006.
- Galvanising: BS EN ISO 1461 :2009. Salt mist testing: BS EN IEC 6006S-2-52:2018

Code	Description	Panel QTY	Length	Width	Height	Safe working load
F-SP-1	Flexi - Solar 1 Panel Frame	1	1200mm	1500mm	120mm	500kg
F-SP-2	Flexi - Solar 2 Panel Frame	2	2400mm	1500mm	120mm	750kg
F-SP-3	Flexi - Solar 3 Panel Frame	3	3600mm	1500mm	120mm	1000kg
F-SP-4	Flexi - Solar 4 Panel Frame	4	4800mm	1500mm	120mm	1250kg

Specification Extract

Solar PV panels supported by hot-dip galvanised frames incorporating 'Flexi Foot' Universal feet.
Tel: +44(0)115900 5858