

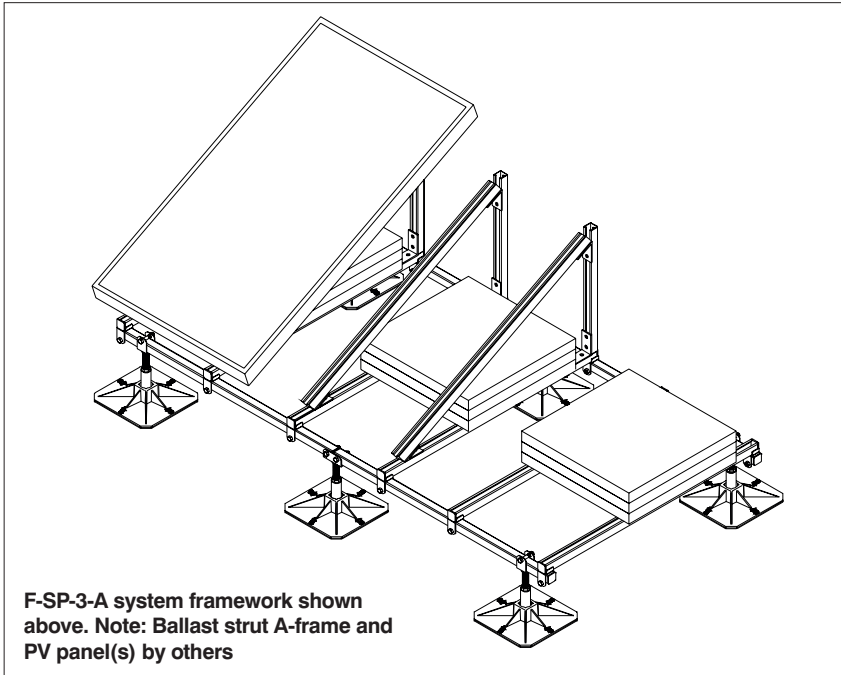


SOLAR

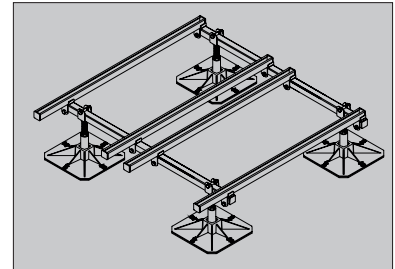


## FLEXI SOLAR FLEXI FRAMES

ADJUSTABLE FRAMEWORKS FOR THE SUPPORT OF SOLAR PV PANELS & SOLAR THERMAL

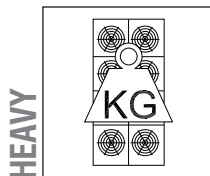
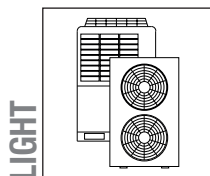
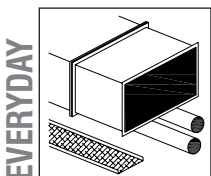


F-SP-3-A system framework shown above. Note: Ballast strut A-frame and PV panel(s) by others



## FEATURES & BENEFITS

- Non-penetrative support
- Flexible design to accommodate late design changes
- Fast and simple installation
- Hot-dip galvanised frameworks
- Fully adjustable leg assemblies
- Unique ability to position end bars and legs inboard of framework
- Full AutoCAD drawing support
- Full on-site support and surveying services



**FLEXI-SOLAR**  
Flexi Frames

The DiversiTech International sales team are available to answer your questions or queries on this product. Our experts are waiting for your call +44 (0)115 900 5858 or if you prefer send an email to [sales@flexisupportsystems.co.uk](mailto:sales@flexisupportsystems.co.uk) or visit [www.flexisupportsystems.co.uk](http://www.flexisupportsystems.co.uk)

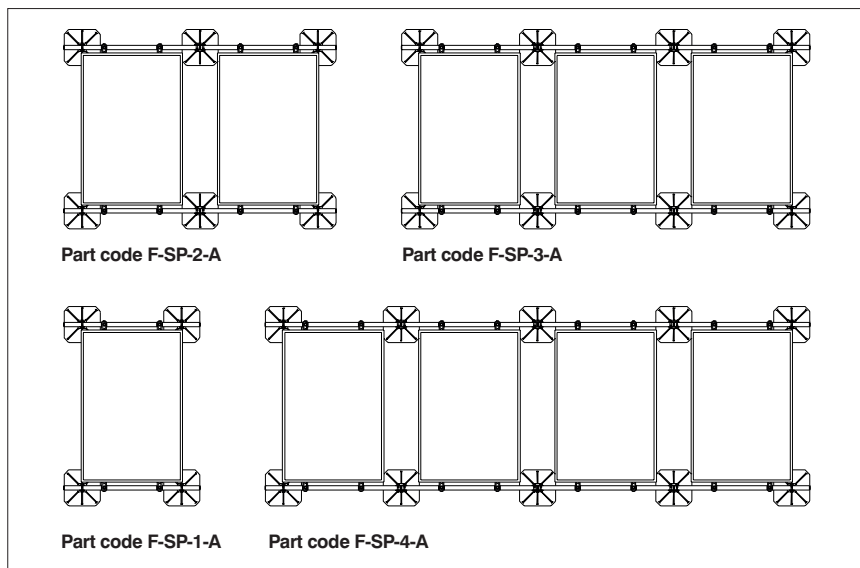




## ■ FLEXI SOLAR FLEXI FRAMES

These versatile and free-standing modular frames are supplied with our fully adjustable leg assemblies, utilising M24 adjuster studs to level frames where flat roofs have greater falls or changes in height. We can supply varying leg heights to accommodate steps in the roof, and all frameworks are supplied with our 320 x 320mm feet. End bars are a robust 40 x 40mm box section with 1500 wide, 41 x 41mm strut cross bars which provides an independent non-evasive support frame for the contractor to position their A-frames, solar panels and ballast upon accordingly. Our systems utilise industry standard compatible components and can accommodate most major manufacturers panels.

### Typical support layout



## ■ APPLICATION

- Suitable for the support of photovoltaic solar panels and solar thermal. Panel configuration and sizes would need confirming by the customer to ensure we supply a suitable solution. Required ballast and A-frame supplied by others.

## ■ WHAT OUR SERVICE OFFERS YOU

- Quotations on request
- Full Auto-CAD drawing support
- Site support and site surveys
- Load management calculations
- Over 25 years experience in flat roof design, and providing support systems to building services
- Fast delivery
- Experienced in-house technical staff

## ■ MATERIAL SPECIFICATION

- Foot - 320mm square UV Stabilised 90% polypropylene, 10% GRP
- For reference see BS EN 1991-1-4:2005
- Eurocode: Actions on structures parts 1-4: General actions - wind action
- For reference see BRE digest 489: wind loads on roof based photovoltaic systems
- End bars - 40 x 40 x 3mm SHS (square hollow section)
- Crossbars - 1500mm long 41 x 41 x 2.5mm slotted strut with adjustable end clamps to provide flexible widths
- Finish - Hot-dip galvanised steelwork BS EN 10219-1 :2006.
- Galvanising: BS EN ISO 1461:2009. Sall mist testing: BS EN IEC 60068-2-52:2018.

Code	Description	Panel QTY	Length	Width	Height	Safe working load	Weight
F-SP-1-A	Flexi-Solar 1 panel adjustable frame	1	1200mm	1500mm	300-405mm	500kg	28kg
F-SP-2-A	Flexi-Solar 2 panel adjustable frame	2	2400mm	1500mm	300-405mm	1000kg	52kg
F-SP-3-A	Flexi-Solar 3 panel adjustable frame	3	3600mm	1500mm	300-405mm	1500kg	78kg
F-SP-4-A	Flexi-Solar 4 panel adjustable frame	4	4800mm	1500mm	300-405mm	2000kg	100kg

### Specification Extract

Solar PV panels supported by hot-dip galvanised frames and on fully adjustable legs and 320mm square feet.  
Tel: +44(0)115900 5858